



TEST REPORT

For
Full Strike Ltd.

Product Name : Type C male to 4-conductor 3.5mm jack

Trademark : N/A

Model Number : FSL10L

Prepared For : Full Strike Ltd.

Address : 2801 International Technology Building, Shennan
Road, Futian Dist., Shenzhen, 518033 PRC

Report No. : GCT200878042ER

Testing laboratory : Shenzhen GCT Technical Service Co.,Ltd.

Address : Huichao Building, Yintian Industry zone, Bao'an
District, Shenzhen, Guangdong P.R. China

TABLE OF CONTENT

	Page
Test Report Declaration	
1. GENERAL INFORMATION	5
1.1. Description of Device (EUT)	5
1.2. Tested System Details	5
1.3. Test Uncertainty	5
1.4. Test Facility	5
2. TEST INSTRUMENT USED	6
3. CONDUCTED EMISSION AT THE MAINS TERMINALS TEST	8
3.1. Block Diagram Of Test Setup	8
3.2. Test Standard	8
3.3. Power Line Conducted Emission Limit	8
3.4. EUT Configuration on Test	8
3.5. Operating Condition of EUT	8
3.6. Test Procedure	9
3.7. Test Result	9
4. RADIATION EMISSION TEST	10
4.1. Block Diagram of Test Setup	10
4.2. Test Standard	10
4.3. Radiation Limit	10
4.4. EUT Configuration on Test	11
4.5. Operating Condition of EUT	11
4.6. Test Procedure	11
4.7. Test Result	11
5. HARMONIC CURRENT EMISSION TEST	14
5.1. Block Diagram of Test Setup	14
5.2. Test Standard	14
5.3. Operating Condition of EUT	14
5.4. Test Procedure	14
5.5. Test Results	14
6. VOLTAGE FLUCTUATIONS & FLICKER TEST	15
6.1. Block Diagram of Test Setup	15
6.2. Test Standard	15
6.3. Operating Condition of EUT	15
6.4. Test Procedure	15
6.5. Test Results	15
7. ELECTROSTATIC DISCHARGE IMMUNITY TEST	16
7.1. Block Diagram of Test Setup	16
7.2. Test Standard	16
7.3. Severity Levels and Performance Criterion	16
7.4. EUT Configuration	17
7.5. Operating Condition of EUT	17
7.6. Test Procedure	17
7.7. Test Results	18
8. RF FIELD STRENGTH SUSCEPTIBILITY TEST	19
8.1. Block Diagram of Test Setup	19
8.2. Test Standard	19
8.3. Severity Levels and Performance Criterion	20
8.4. EUT Configuration on Test	20
8.5. Operating Condition of EUT	20
8.6. Test Procedure	21

8.7.	Test Results.....	21
9.	ELECTRICAL FAST TRANSIENT/BURST IMMUNITY TEST.....	22
9.1.	Block Diagram of EUT Test Setup	22
9.2.	Test Standard.....	22
9.3.	Severity Levels and Performance Criterion.....	22
9.4.	EUT Configuration on Test.....	23
9.5.	Operating Condition of EUT	23
9.6.	Test Procedure	23
9.7.	Test Results.....	23
10.	SURGE TEST	24
10.1.	Block Diagram of EUT Test Setup	24
10.2.	Test Standard.....	24
10.3.	Severity Levels and Performance Criterion.....	24
10.4.	EUT Configuration on Test.....	25
10.5.	Operating Condition of EUT	25
10.6.	Test Procedure	25
10.7.	Test Result.....	25
11.	INJECTED CURRENTS SUSCEPTIBILITY TEST	26
11.1.	Block Diagram of EUT Test Setup	26
11.2.	Test Standard.....	26
11.3.	Severity Levels and Performance Criterion.....	26
11.4.	EUT Configuration on Test.....	27
11.5.	Operating Condition of EUT	27
11.6.	Test Procedure	27
11.7.	Test Result.....	28
12.	MAGNETIC FIELD IMMUNITY TEST	29
12.1.	Block Diagram of Test Setup	29
12.2.	Test Standard.....	29
12.3.	Severity Levels and Performance Criterion.....	29
12.4.	EUT Configuration on Test.....	30
12.5.	Operating Condition of EUT	30
12.6.	Test Procedure	30
12.7.	Test Results.....	30
13.	VOLTAGE DIPS AND INTERRUPTIONS TEST	31
13.1.	Block Diagram of EUT Test Setup	31
13.2.	Test Standard.....	31
13.3.	Severity Levels and Performance Criterion.....	31
13.4.	EUT Configuration on Test.....	32
13.5.	Operating Condition of EUT	32
13.6.	Test Procedure	32
13.7.	Test Result.....	32
14.	EUT PHOTOGRAPHS	33

Applicant : Full Strike Ltd.
Address : 2801 International Technology Building, Shennan Road, Futian Dist.,
Shenzhen, 518033 PRC
Manufacturer : Full Strike Ltd.
Address : 2801 International Technology Building, Shennan Road, Futian Dist.,
Shenzhen, 518033 PRC
EUT : Type C male to 4-conductor 3.5mm jack
Model Number : FSL10L
Trademark: : N/A
Test Date : Aug. 20, 2020 - Aug. 26, 2020
Date of Report : Aug. 26, 2020
Test Result: : The equipment under test was found to be compliance with the
requirements of the standards applied.

Test Procedure Used:

EMI : EN 55032:2015+AC:2016
EN 61000-3-2:2014, EN 61000-3-3:2013

EMS : EN 55035:2017
EN 61000-4-2:2009, EN 61000-4-3:2006+A1:2008+A2:2010,
EN 61000-4-4:2012, EN 61000-4-5:2014+A1:2017,
EN 61000-4-6:2014, EN 61000-4-8:2010, EN 61000-4-11:2004+A1:2017

Prepared by(Engineer): *Jandi*

Reviewer(Supervisor): *Daniel*

Approved(Manager): *Francis*



This test report is based on a single evaluation of one sample of above mentioned products. The test results in the report only apply to the tested sample. It is not permitted to be duplicated in extracts without written approval of Shenzhen GCT Technical Service Co.,Ltd.

1. GENERAL INFORMATION

1.1. Description of Device (EUT)

EUT : Type C male to 4-conductor 3.5mm jack
Trademark : N/A
Model Number : FSL10L
Power Supply : Input:DC 5V,0.5A

1.2. Tested System Details

N/A

1.3. Test Uncertainty

Conducted Emission : ± 2.66 dB
Uncertainty

Radiated Emission : ± 4.26 dB
Uncertainty

1.4. Test Facility

Site Description :

Name of Firm : Shenzhen GCT Technical Service Co.,Ltd.

Address : Huichao Building, Yintian Industry zone, Bao'an
District, Shenzhen, Guangdong P.R. China

2. TEST INSTRUMENT USED

For Conducted Emission at the mains terminals Test

Conducted Emission Test (A --- site)					
Equipment	Manufacturer	Model#	Serial#	Last Cal.	Next Cal.
843 Shielded Room	ChengYu	843 Room	843	Aug. 25, 2019	Aug. 24, 2020
EMI Receiver	R&S	ESCI	101421	Aug. 27, 2019	Aug. 26, 2020
LISN	Schwarzbeck	NSLK8127	8127739	Sep. 07, 2019	Sep. 06, 2020
Attenuator	R&S	ESH3-Z2	LST021E	Aug. 25, 2019	Aug. 24, 2020
843 Cable 1#	FUJIKURA	843C1#	001	Aug. 25, 2019	Aug. 24, 2020

For Conducted Emission at the telecom port Test

Conducted Emission Test (A --- site)					
Equipment	Manufacturer	Model#	Serial#	Last Cal.	Next Cal.
843 Shielded Room	ChengYu	843 Room	843	Aug. 25, 2019	Aug. 24, 2020
EMI Receiver	R&S	ESCI	101421	Aug. 27, 2019	Aug. 26, 2020
Coupling/ Decoupling Network	PH	ISN T800	S1509001	Aug. 25, 2019	Aug. 24, 2020
Attenuator	R&S	ESH3-Z2	LST021E	Aug. 25, 2019	Aug. 24, 2020
843 Cable 1#	FUJIKURA	843C1#	001	Aug. 25, 2019	Aug. 24, 2020

For Radiated Emission Test

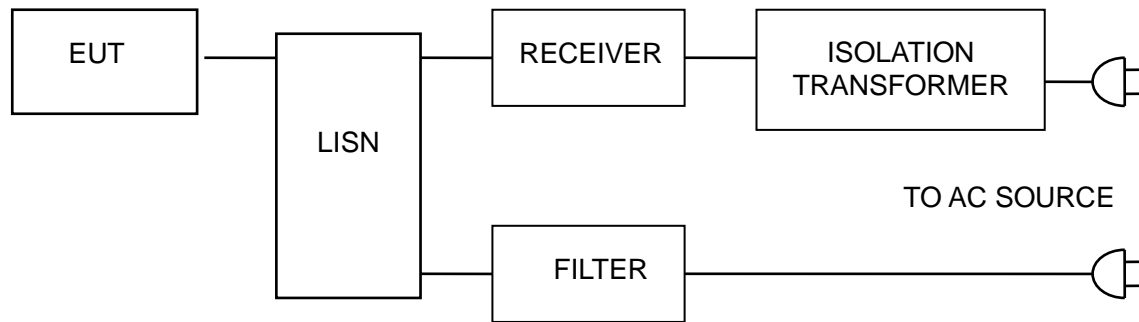
Radiation Emission Test (966 chamber)					
Equipment	Manufacturer	Model#	Serial#	Last Cal.	Next Cal.
966 chamber	ChengYu	966 Room	966	Aug. 25, 2019	Aug. 24, 2020
Spectrum Analyzer	Agilent	E4407B	MY45109572	Aug. 27, 2019	Aug. 26, 2020
Amplifier	Schwarzbeck	BBV9743	9743-119	Aug. 25, 2019	Aug. 24, 2020
Amplifier	Schwarzbeck	BBV9718	9718-270	Aug. 25, 2019	Aug. 24, 2020
Log-periodic Antenna	Schwarzbeck	VULB9160	VULB9160-3369	Sep. 07, 2019	Sep. 06, 2020
EMI Receiver	R&S	ESCI	101421	Aug. 27, 2019	Aug. 26, 2020
Horn Antenna	Schwarzbeck	BBHA9120D	9120D-1275	Aug. 25, 2019	Aug. 24, 2020
966 Cable 1#	CHENGYU	966	004	Aug. 25, 2019	Aug. 24, 2020
966 Cable 2#	CHENGYU	966	003	Aug. 25, 2019	Aug. 24, 2020

For Electrostatic Discharge Immunity Test

For Electrostatic Discharge Immunity Test (A --- site)					
Equipment	Manufacturer	Model#	Serial#	Last Cal.	Next Cal.
ESD Tester	KIKISUI	KES4201A	UH002321	Aug. 28, 2019	Aug. 27, 2020

3. CONDUCTED EMISSION AT THE MAINS TERMINALS TEST

3.1. Block Diagram Of Test Setup



3.2. Test Standard

EN 55032:2015+AC:2016

3.3. Power Line Conducted Emission Limit

Frequency MHz	Limits dB(μ V)	
	Quasi-peak Level	Average Level
0.15 ~ 0.50	66 ~ 56*	56 ~ 46*
0.50 ~ 5.00	56	46
5.00 ~ 30.00	60	50

Notes: 1. *Decreasing linearly with logarithm of frequency.

2. The lower limit shall apply at the transition frequencies.

3.4. EUT Configuration on Test

The following equipments are installed on conducted emission test to meet EN 55032 requirement and operating in a manner which tends to maximize its emission characteristics in a normal application.

3.5. Operating Condition of EUT

3.5.1 Setup the EUT and simulators as shown in Section 3.1.

3.5.2 Turn on the power of all equipments.

3.5.3 Let the EUT work in test modes and test it.

3.6. Test Procedure

The EUT is put on the ground and connected to the AC mains through a Artificial Mains Network (AMN). This provided a 50ohm coupling impedance for the tested equipments. Both sides of AC line are checked to find out the maximum conducted emission levels according to the **EN 55032** regulations during conducted emission test.

The bandwidth of the test receiver (R&S Test Receiver ESCI) is set at 10KHz.

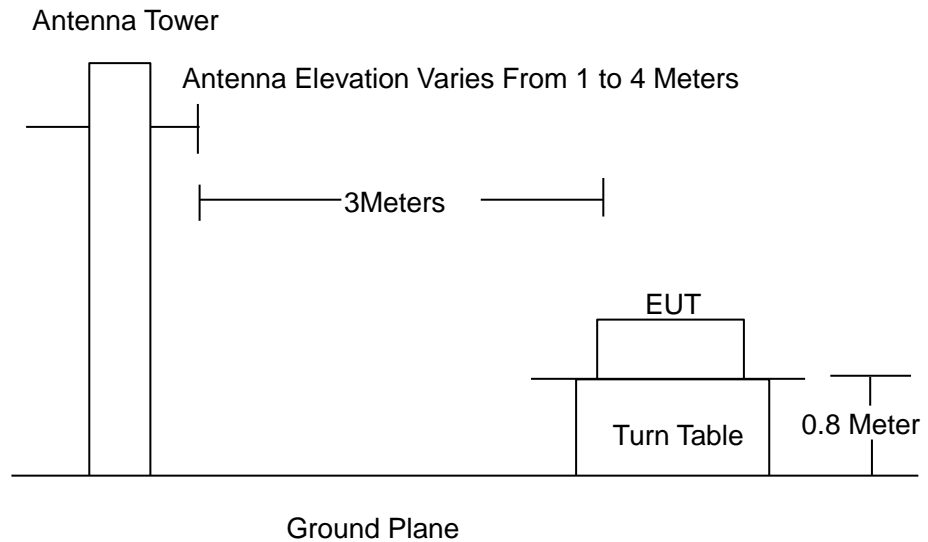
The frequency range from 150 KHz to 30 MHz is investigated.

3.7. Test Result

The EUT is powered by the DC only, the test item is not applicable.

4. RADIATION EMISSION TEST

4.1. Block Diagram of Test Setup



4.2. Test Standard

EN 55032:2015+AC:2016

4.3. Radiation Limit

Frequency MHz	Distance (Meters)	Field Strengths Limits dB(μ V)/m	Detector
30 ~ 230	3	40.0	QP
230 ~ 1000	3	47.0	QP
1000 ~ 3000	3	76.0	PEAK
1000 ~ 3000	3	56.0	AVERAGE
3000 ~ 6000	3	80.0	PEAK
3000 ~ 6000	3	60.0	AVERAGE

Remark:

- (1) Emission level (dB(μ V)/m) = 20 log Emission level (μ V/m)
- (2) The smaller limit shall apply at the cross point between two frequency bands.
- (3) Distance refers to the distance in meters between the measuring instrument, antenna and the closed point of any part of the device or system.

4.4.EUT Configuration on Test

The EN 55032 regulations test method must be used to find the maximum emission during radiated emission test.

The configuration of EUT is the same as used in conducted emission test. Please refer to Section 2.2.

4.5.Operating Condition of EUT

Same as conducted emission test, which is listed in Section 2.2 except the test set up replaced as Section 4.1.

4.6.Test Procedure

The EUT and its simulators are placed on a turned table that is 0.8 meter above the ground. The turned table can rotate 360 degrees to determine the position of the maximum emission level. The EUT is set 3 meters away from the receiving antenna that is mounted on the antenna tower. The antenna can move up and down between 1 meter and 4 meters to find out the maximum emission level. Broadband antenna (calibrated biconical and log periodical antenna) is used as receiving antenna. Both horizontal and vertical polarization of the antenna is set on test. In order to find the maximum emission levels, the interface cable must be manipulated according to EN 55032 on radiated emission test.

The bandwidth setting on the field strength meter (R&S Test Receiver ESCI) is set at 120KHz below 1GHz, set at 1MHz above 1GHz

The frequency range from 30MHz to 1000MHz is checked.

The highest frequency of the internal sources of the EUT was 1.3GHz, so the measurement was only made up to 6GHz.

4.7.Test Result

PASS

Please refer to the following page.

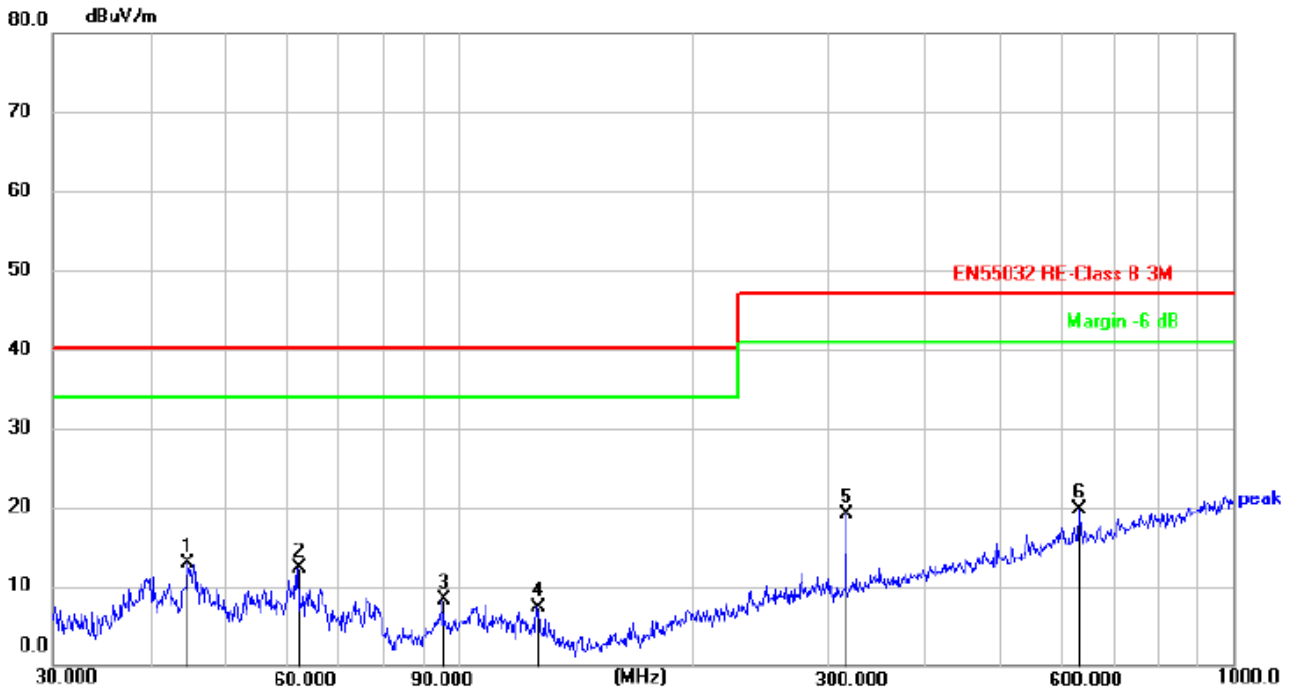
Radiation Emission Test Data			
Temperature:	24.5 °C	Relative Humidity:	54%
Pressure:	1009hPa	Phase :	Horizontal
Test Voltage :	DC 5V	Test Mode:	Normal Mode

Radiated Emission Measurement

File :8

Data :#10

Time: 11:00:33



No.	Frequency (MHz)	Reading (dBUV)	Factor (dB/m)	Level (dBUV/m)	Limit (dBUV/m)	Margin (dB)	Detector	Height (cm)	Azimuth (deg.)	P/F	Remark
1 *	44.7433	43.05	-30.12	12.93	40.00	-27.07	peak			P	
2	61.9951	44.35	-31.95	12.40	40.00	-27.60	peak			P	
3	95.4270	40.92	-32.70	8.22	40.00	-31.78	peak			P	
4	126.3286	42.16	-34.93	7.23	40.00	-32.77	peak			P	
5	316.5890	47.52	-28.46	19.06	47.00	-27.94	peak			P	
6	633.9073	40.90	-21.25	19.65	47.00	-27.35	peak			P	

*:Maximum data x:Over limit !:over margin

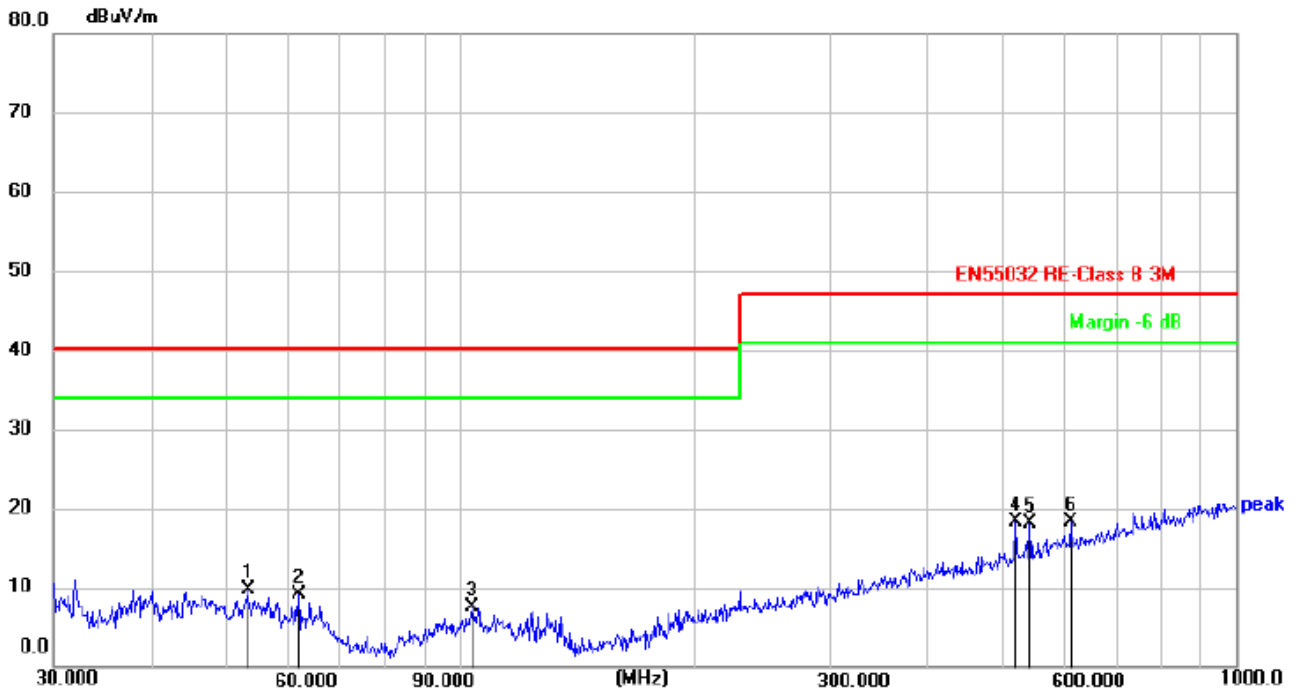
Radiation Emission Test Data			
Temperature:	24.5 °C	Relative Humidity:	54%
Pressure:	1009hPa	Phase :	Vertical
Test Voltage :	DC 5V	Test Mode:	Normal Mode

Radiated Emission Measurement

File :8

Data :#9

Time: 10:59:24

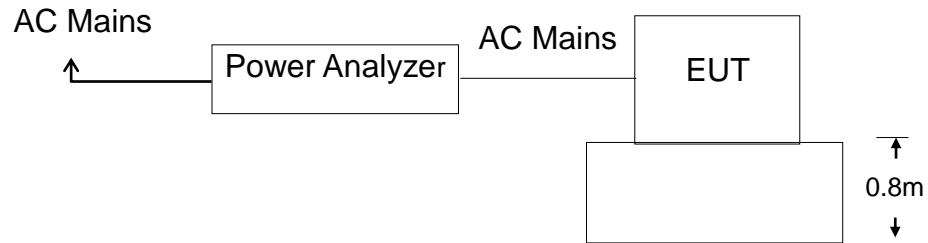


No.	Frequency (MHz)	Reading (dBuV)	Factor (dB/m)	Level (dBuV/m)	Limit (dBuV/m)	Margin (dB)	Detector	Height (cm)	Azimuth (deg.)	P/F	Remark
1	53.3179	39.86	-30.17	9.69	40.00	-30.31	peak			P	
2	61.9950	41.12	-31.95	9.17	40.00	-30.83	peak			P	
3	103.8054	39.27	-31.77	7.50	40.00	-32.50	peak			P	
4	520.8882	41.84	-23.62	18.22	47.00	-28.78	peak			P	
5	543.2742	41.24	-23.17	18.07	47.00	-28.93	peak			P	
6 *	612.0641	39.66	-21.43	18.23	47.00	-28.77	peak			P	

*:Maximum data x:Over limit !:over margin

5. HARMONIC CURRENT EMISSION TEST

5.1. Block Diagram of Test Setup



5.2. Test Standard

EN 61000-3-2:2014

5.3. Operating Condition of EUT

- 5.3.1 Setup the EUT as shown in Section 5.1.
- 5.3.2 Turn on the power of all equipments.
- 5.3.3 Let the EUT work in test mode and test it.

5.4. Test Procedure

The power cord of the EUT is connected to the output of the test system. Turn on the power of the EUT and use the test system to test the harmonic current level.

5.5. Test Results

The EUT is powered by the DC only, the test item is not applicable.

6. VOLTAGE FLUCTUATIONS & FLICKER TEST

6.1. Block Diagram of Test Setup

Same as Section 6.1..

6.2. Test Standard

EN 61000-3-3:2013

6.3. Operating Condition of EUT

Same as Section 5.3.. The power cord of the EUT is connected to the output of the test system. Turn on the power of the EUT and use the test system to test the harmonic current level.

Flicker Test Limit

Test items	Limits
Pst	1.0
dc	3.3%
dmax	4.0%
dt	Not exceed 3.3% for 500ms

6.4. Test Procedure

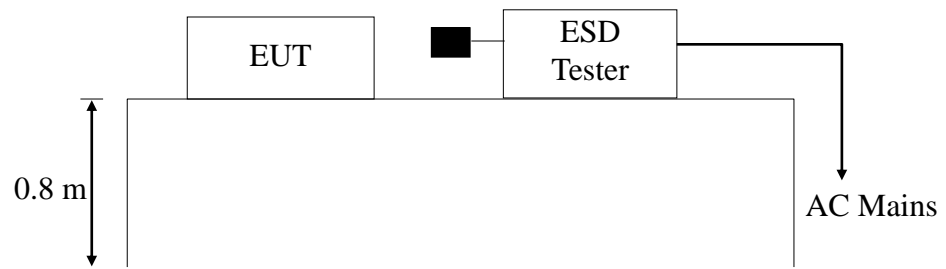
The power cord of the EUT is connected to the output of the test system. Turn on the power of the EUT and use the test system to test the harmonic current level.

6.5. Test Results

The EUT is powered by the DC only, the test item is not applicable.

7. ELECTROSTATIC DISCHARGE IMMUNITY TEST

7.1. Block Diagram of Test Setup



7.2. Test Standard

EN 55035:2017, EN 61000-4-2:2009

Severity Level: 3 / Air Discharge: ± 8 KV
 Level: 2 / Contact Discharge: ± 4 KV

7.3. Severity Levels and Performance Criterion

7.3.1 Severity level

Level	Test Voltage Contact Discharge (KV)	Test Voltage Air Discharge (KV)
1.	± 2	± 2
2.	± 4	± 4
3.	± 6	± 8
4.	± 8	± 15
X	Special	Special

7.3.2 Performance criterion : B

- A. The apparatus shall continue to operate as intended during and after the test. No degradation of performance or loss of function is allowed below a performance level specified by the manufacturer, when the apparatus is used as intended.
- B. The apparatus shall continue to operate as intended after the test. No degradation of performance or loss of function is allowed below a performance level specified by the manufacturer, when the apparatus is used as intended. The performance level may be replaced by a permissible loss of performance. During the test, degradation of performance is however allowed.
- C. Temporary loss of function is allowed, provided the function is self-recoverable or can be restored by the operation of the controls.

7.4.EUT Configuration

The following equipments are installed on Electrostatic Discharge Immunity test to meet EN 55020-2007+A12-2016, EN 61000-4-2:2009, requirement and operating in a manner which tends to maximize its emission characteristics in a normal application. The configuration of EUT is the same as used in conducted emission test.
Please refer to Section 2.4.

7.5.Operating Condition of EUT

Same as conducted emission measurement, which is listed in Section 3.5 except the test setup replaced by Section 7.1.2.

7.6.Test Procedure

7.6.1 Air Discharge:

This test is done on a non-conductive surface. The round discharge tip of the discharge electrode shall be approached as fast as possible to touch the EUT. After each discharge, the discharge electrode shall be removed from the EUT. The generator is then re-triggered for a new single discharge and repeated 10 times for each pre-selected test point. This procedure shall be repeated until all the air discharge completed.

7.6.2 Contact Discharge:

All the procedure shall be same as Section 7.6.1. Except that the tip of the discharge electrode shall touch the EUT before the discharge switch is operated.

7.6.3 Indirect discharge for horizontal coupling plane

At least 10 single discharges (in the most sensitive polarity) shall be applied at the front edge of each HCP opposite the center point of each unit (if applicable) of the EUT and 0.1m from the front of the EUT. The long axis of

the discharge electrode shall be in the plane of the HCP and perpendicular to its front edge during the discharge.

7.6.4 Indirect discharge for vertical coupling plane

At least 10 single discharges (in the most sensitive polarity) shall be applied to the center of one vertical edge of the coupling plane. The coupling plane, of dimensions 0.5m X 0.5m, is placed parallel to, and positioned at a distance of 0.1m from the EUT. Discharges shall be applied to the coupling plane, with this plane in sufficient different positions that the four faces of the EUT are complete illuminated.

7.7. Test Results

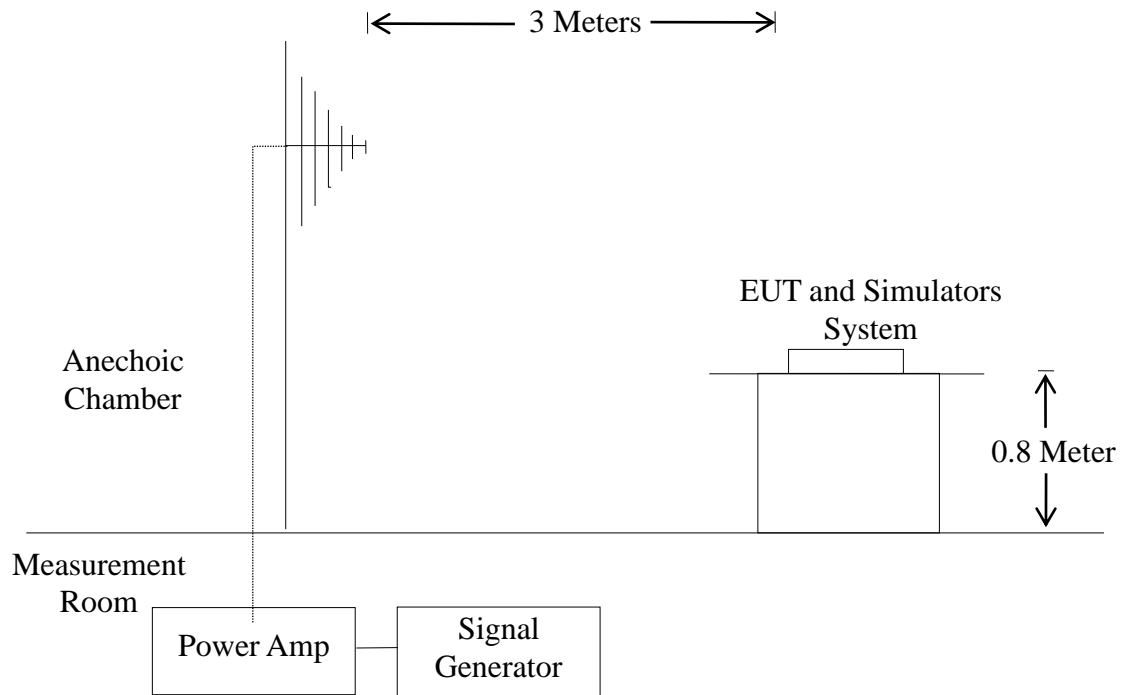
PASS

Please refer to the following page.

ESD Test Data				
Temperature:	24.5°C	Humidity:	53%	
Power Supply :	DC 5V	Test Mode:	Normal Mode	
Air Discharge: ± 8KV				
Contact Discharge: ± 4KV				
# For each point positive 25 times and negative 25 times discharge				
Test Points	Air Discharge	Contact Discharge	Performance Criterion	Result
Enclosure	±2,4,8KV	N/A	B	PASS
Slit	±2,4,8KV	N/A	B	PASS
Metal Part	N/A	±2,4 KV	B	PASS
VCP	N/A	±2,4 KV	B	PASS
HCP	N/A	±2,4 KV	B	PASS
Note: N/A				

8. RF FIELD STRENGTH SUSCEPTIBILITY TEST

8.1. Block Diagram of Test Setup



8.2. Test Standard

EN 55035:2017, EN 61000-4-3: 2006+A1:2008+A2:2010
Severity Level 2, 3V / m

8.3. Severity Levels and Performance Criterion

8.3.1. Severity level

Level	Field Strength V/m
1.	1
2.	3
3.	10
X.	Special

8.3.2. Performance criterion: A

- A、 The apparatus shall continue to operate as intended during and after the test. No degradation of performance or loss of function is allowed below a performance level specified by the manufacturer, when the apparatus is used as intended.
- B、 The apparatus shall continue to operate as intended after the test. No degradation of performance or loss of function is allowed below a performance level specified by the manufacturer, when the apparatus is used as intended. The performance level may be replaced by a permissible loss of performance. During the test, degradation of performance is however allowed.
- C、 Temporary loss of function is allowed, provided the function is self-recoverable or can be restored by the operation of the controls.

8.4. EUT Configuration on Test

The following equipments are installed on Electrical Fast Transient/Burst Immunity test to meet EN 55020-2007+A12-2016, EN 61000-4-4:2012, requirement and operating in a manner which tends to maximize its emission characteristics in a normal application. The configuration of EUT is the same as used in conducted emission test.

Please refer to Section 3.4.

8.5. Operating Condition of EUT

Same as conducted emission measurement, which is listed in Section 2.5 except the test setup replaced by Section 8.1.

8.6. Test Procedure

The EUT and its simulators are placed on a turn table which is 0.8 meter above ground. EUT is set 3 meter away from the transmitting antenna which is mounted on an antenna tower. Both horizontal and vertical polarization of the antenna are set on test. Each of the four sides of EUT must be faced this transmitting antenna and measured individually.

All the scanning conditions are as follows :

Condition of Test	Remarks
1. Fielded Strength	3 V/m (Severity Level 2)
2. Radiated Signal	Modulated
3. Scanning Frequency	80 – 1000 MHz
4. Dwell time of radiated	0.0015 decade/s
5. Waiting Time	1 Sec.

8.7. Test Results

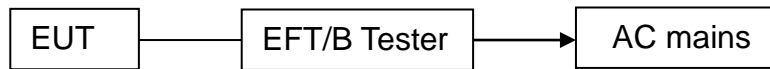
PASS

Please refer to the following page.

R/S Test Data			
Temperature : 25°C		Humidity : 53%	
Field Strength: 3 V/m		Criterion: A	
Power Supply: DC 5V		Frequency Range: 80 MHz to 1000 MHz	
Modulation: <input checked="" type="checkbox"/> AM <input type="checkbox"/> Pulse <input type="checkbox"/> none 1 KHz 80%			
Test Mode : Discharge			
Frequency Range: 80 MHz to 1000 MHz			
Steps	1 %		
	Horizontal	Vertical	Result
Front	A	A	Pass
Right	A	A	Pass
Rear	A	A	Pass
Left	A	A	Pass
Note: N/A			

9. ELECTRICAL FAST TRANSIENT/BURST IMMUNITY TEST

9.1. Block Diagram of EUT Test Setup



9.2. Test Standard

EN 55035:2017, EN 61000-4-4:2012

9.3. Severity Levels and Performance Criterion

Severity Level 2 at 1KV, Pulse Rise time & Duration: 5 nS / 50 nS

Severity Level:

Open Circuit Output Test Voltage $\pm 10\%$		
Level	On power ports	On I/O(Input/Output) Signal data and control ports
1.	0.5KV	0.25KV
2.	1KV	0.5KV
3.	2KV	1KV
4.	4KV	2KV
X.	Special	Special

Performance criterion: B

- A. The apparatus shall continue to operate as intended during and after the test. No degradation of performance or loss of function is allowed below a performance level specified by the manufacturer, when the apparatus is used as intended.
- B. The apparatus shall continue to operate as intended after the test. No degradation of performance or loss of function is allowed below a performance level specified by the manufacturer, when the apparatus is used as intended. The performance level may be replaced by a permissible loss of performance. During the test, degradation of performance is however allowed.
- C. Temporary loss of function is allowed, provided the function is self-recoverable or can be restored by the operation of the controls.

9.4.EUT Configuration on Test

The following equipments are installed on Electrical Fast Transient/Burst Immunity test to meet EN 55020-2007+A12-2016, EN 61000-4-4:2012, requirement and operating in a manner which tends to maximize its emission characteristics in a normal application. The configuration of EUT is the same as used in conducted emission test.

Please refer to Section 3.4.

9.5.Operating Condition of EUT

Same as conducted emission measurement, which is listed in Section 2.6 except the test setup replaced by Section 9.1.

9.6.Test Procedure

EUT shall be placed 0.8m high above the ground reference plane which is a min.1m*1m metallic sheet with 0.65mm minimum thickness. This reference ground plane shall project beyond the EUT by at least 0.1m on all sides and the minimum distance between EUT and all other conductive structure, except the ground plane beneath the EUT, shall be more than 0.5m

9.6.1. For input and output AC power ports:

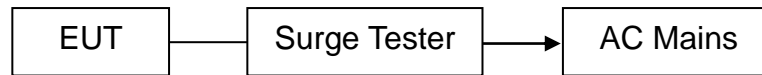
The EUT is connected to the power mains by using a coupling device which couples the EFT interference signal to AC power lines. Both polarities of the test voltage should be applied during compliance test and the duration of the test is 2 minutes.

9.7.Test Results

The EUT is powered by the DC only,the test item is not applicable..

10. SURGE TEST

10.1. Block Diagram of EUT Test Setup



10.2. Test Standard

EN 55035:2017, EN 61000-4-5:2014+A1:2017

10.3. Severity Levels and Performance Criterion

Severity Level: Line to Line, Level 2 at 1KV;

Severity Level: Line to Earth, Level 3 at 2KV.

Severity Level	Open-Circuit Test Voltage (KV)
1.	0.5
2.	1.0
3.	2.0
4.	4.0
X.	Special

Performance criterion: B

- A. The apparatus shall continue to operate as intended during and after the test. No degradation of performance or loss of function is allowed below a performance level specified by the manufacturer, when the apparatus is used as intended.
- B. The apparatus shall continue to operate as intended after the test. No degradation of performance or loss of function is allowed below a performance level specified by the manufacturer, when the apparatus is used as intended. The performance level may be replaced by a permissible loss of performance. During the test, degradation of performance is however allowed.
- C. Temporary loss of function is allowed, provided the function is self-recoverable or can be restored by the operation of the controls.

10.4. EUT Configuration on Test

The following equipments are installed on Electrical Fast Transient/Burst Immunity test to meet EN 55020-2007+A12-2016, EN 61000-4-5:2014+A1:2017, requirement and operating in a manner which tends to maximize its emission characteristics in a normal application

The configuration of EUT is the same as used in conducted emission test. Please refer to Section 3.4.

10.5. Operating Condition of EUT

Same as conducted emission measurement, which is listed in Section 2.7 except the test setup replaced by Section 10.1.

10.6. Test Procedure

- 1) Set up the EUT and test generator as shown on section 10.1
- 2) For line to line coupling mode, provide a 1KV 1.2/50us voltage surge (at open-circuit condition) and 8/20us current surge to EUT selected points.
- 3) At least 5 positive and 5 negative (polarity) tests with a maximum 1/min repetition rate are conducted during test.
- 4) Different phase angles are done individually.
- 5) Repeat procedure 2) to 4) except the open-circuit test voltage change from 1KV to 2KV for line to earth coupling mode test.
- 6) Record the EUT operating situation during compliance test and decide the EUT immunity criterion for above each test.

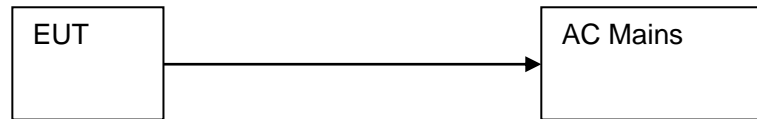
10.7. Test Result

The EUT is powered by the DC only, the test item is not applicable..

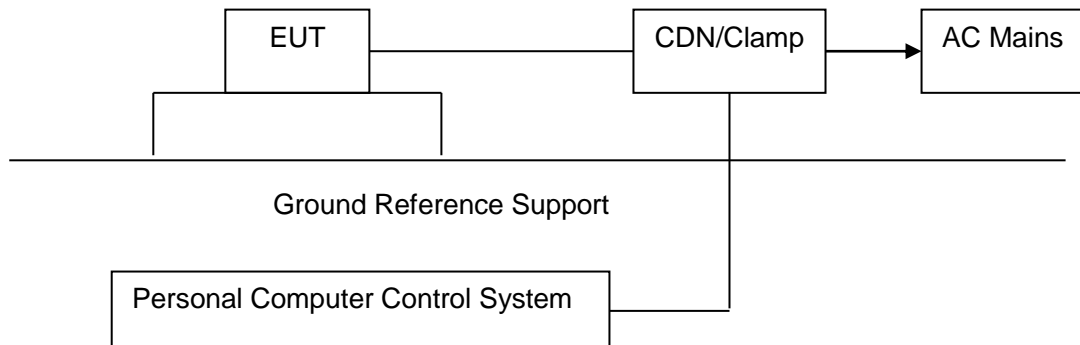
11. INJECTED CURRENTS SUSCEPTIBILITY TEST

11.1. Block Diagram of EUT Test Setup

11.1.1. Block Diagram of EUT Test Setup



11.1.2. Block Diagram of Test Setup



11.2. Test Standard

EN 55035:2017, EN61000-4-6:2014

11.3. Severity Levels and Performance Criterion

Severity Level 2: 3V(rms), 150KHz ~ 80MHz

Severity Level:

Level	Field Strength V
1.	1
2.	3
3.	10
X.	Special

Performance criterion: A

- A. The apparatus shall continue to operate as intended during and after the test. No degradation of performance or loss of function is allowed below a performance level specified by the manufacturer, when the apparatus is used as intended.
- B. The apparatus shall continue to operate as intended after the test. No degradation of performance or loss of function is allowed below a performance level specified by the manufacturer, when the apparatus is used as intended. The performance level may be replaced by a permissible loss of performance. During the test, degradation of performance is however allowed.
- C. Temporary loss of function is allowed, provided the function is self-recoverable or can be restored by the operation of the controls.

11.4. EUT Configuration on Test

The configuration of EUT is the same as used in conducted emission test. Please refer to Section 2.8.

11.5. Operating Condition of EUT

Same as conducted emission test, which is listed in Section 2.8 except the test set up replaced as Section 11.1.

11.6. Test Procedure

- 1) Set up the EUT, CDN and test generator as shown on section 11.1
- 2) Let EUT work in test mode and measure.
- 3) The EUT and supporting equipments are placed on an insulating support 0.1m high above a ground reference plane. CDN (coupling and decoupling device) is placed on the ground plane at above 0.1-0.3m from EUT. Cables between CDN and EUT are as short as possible, and their height above the ground reference plane shall be between 30 and 50 mm (where possible).
- 4) The disturbance signal described below is injected to EUT through CDN.
- 5) The EUT operates within its operational mode(s) under intended climatic conditions after power on.
- 6) The frequency range is swept from 150KHz to 80MHz using 3V signal level, and with the disturbance signal 80% amplitude modulated with a 1KHz sine wave

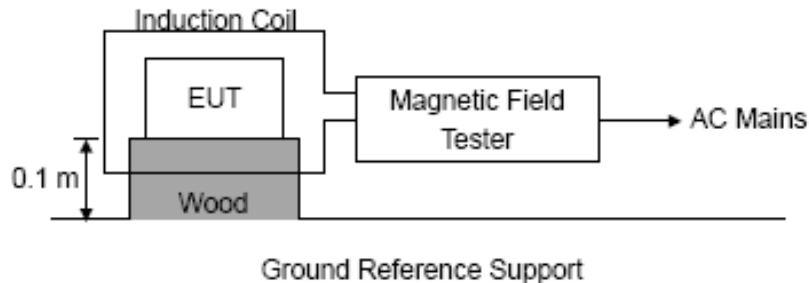
- 7) The rate of sweep shall not exceed 1.5×10^{-3} decades/s. Where the frequency is swept incrementally, the step size shall not exceed 1% of the start and thereafter 1% of the preceding frequency value.
- 8) Recording the EUT operating situation during compliance test and decide the EUT immunity criterion for above each test.

11.7. Test Result

The EUT is powered by the DC only,the test item is not applicable..

12. MAGNETIC FIELD IMMUNITY TEST

12.1. Block Diagram of Test Setup



12.2. Test Standard

EN 55035:2017, EN61000-4-8:2010

Severity Level 1 at 1A/m

12.3. Severity Levels and Performance Criterion

12.3.1 Severity level

Level	Magnetic Field Strength A/m
1.	1
2.	3
3.	10
4.	30
5.	100
X.	Special

12.3.2 Performance criterion: B

- A. The apparatus shall continue to operate as intended during and after the test. No degradation of performance or loss of function is allowed below a performance level specified by the manufacturer, when the apparatus is used as intended.
- B. The apparatus shall continue to operate as intended after the test. No degradation of performance or loss of function is allowed below a performance level specified by the manufacturer, when the apparatus is used as intended. The performance level may be replaced by a permissible loss of performance. During the test, degradation of performance is however allowed.

C. Temporary loss of function is allowed, provided the function is self-recoverable or can be restored by the operation of the controls.

12.4. EUT Configuration on Test

The configuration of EUT is listed in Section 2.9.

12.5. Operating Condition of EUT

Same as conducted emission test, which is listed in Section 2.9 except the test set up replaced as Section 12.1.

12.6. Test Procedure

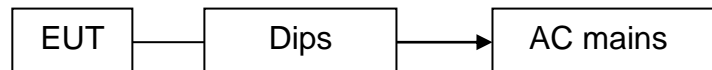
The EUT shall be subjected to the test magnetic field by using the induction coil of standard dimensions (1m*1m) and shown in Section 10.1. The induction coil shall then be rotated by 90° in order to expose the EUT to the test field with different orientations.

12.7. Test Results

The test item is not applicable.

13. VOLTAGE DIPS AND INTERRUPTIONS TEST

13.1. Block Diagram of EUT Test Setup



13.2. Test Standard

EN 55035:2017, EN 61000-4-11:2004+A1:2017

13.3. Severity Levels and Performance Criterion

Severity Level:

Input and Output AC Power Ports.

- Voltage Dips.
- Voltage Interruptions.

Environmental Phenomena	Test Specification	Units	Performance Criterion
Voltage Dips	>95 0.5	% Reduction period	B
	30 25	% Reduction period	C
Voltage Interruptions	>95 250	% Reduction period	C

Performance criterion: B, C, C

- A. The apparatus shall continue to operate as intended during and after the test. No degradation of performance or loss of function is allowed below a performance level specified by the manufacturer, when the apparatus is used as intended.
- B. The apparatus shall continue to operate as intended after the test. No degradation of performance or loss of function is allowed below a performance level specified by the manufacturer, when the apparatus is used as intended. The performance level may be replaced by a permissible loss of performance. During the test, degradation of performance is however allowed.
- C. Temporary loss of function is allowed, provided the function is self-recoverable or can be restored by the operation of the controls.

13.4. EUT Configuration on Test

The configuration of EUT is the same as used in conducted emission test. Please refer to Section 2.10.

13.5. Operating Condition of EUT

Same as conducted emission test, which is listed in Section 2.10 except the test set up replaced as Section 13.1.

13.6. Test Procedure

- 1) Set up the EUT and test generator as shown on section 13.1
- 2) The interruption is introduced at selected phase angles with specified duration. There is a 3mins minimum interval between each test event.
- 3) After each test a full functional check is performed before the next test.
- 4) Repeat procedures 2 & 3 for voltage dips, only the level and duration is changed.
- 5) Record any degradation of performance.

13.7. Test Result

The EUT is powered by the DC only, the test item is not applicable..

14. EUT PHOTOGRAPHS

EUT Photo 1



***** END OF REPORT *****